

Model: VT-DS825

Powered by DOOSAN



OUTPUT RATING

Model	Power rating		Voltage available
VT-DS825	PRIME(1)	STANDBY(2)	380/220V
	600KW	660KW	400/230V
400V/50HZ / PF:0.8	750KVA	825KVA	415/270V

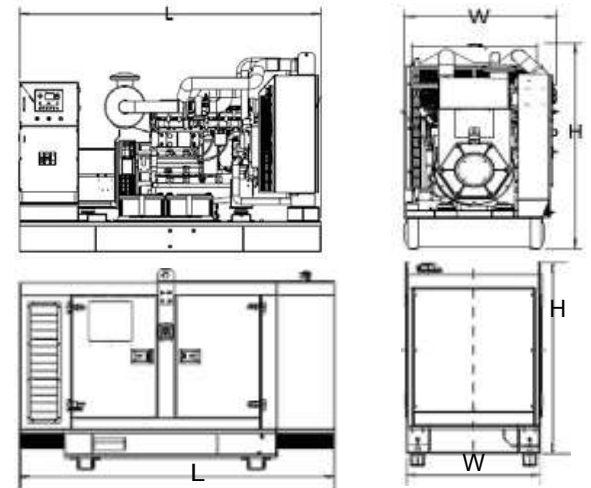
GENERAL INFORMATION

Model	VT-DS825	
Engine	DP222LC	
Speed control type	Electronical	
Phase	3	
Control System	Digital	
System voltage	12/24V	
Frequency	50HZ	
Engine Speed(RPM)	1500	
Fuel Consumption (L/hr)	Standby power(2)	162
	Prime Power(1)	173
	75% prime power	119
	50% prime power	79



DIMENSION AND WEIGHT

Dimension	Open	Silent
Length (L)	3500mm	5030mm
Width (W)	1680mm	1660mm
Height (H)	2200mm	2250mm
NetWeight	4450KG	6100KG



VT POWER gensets are compliant with EC mark which include the following directives:

- * 2006/42/EC Machinery safety.
- * 2006/95/EC Low voltage
- * EN 60204-1: 2006+A1:2009, EN ISO 12100:2010, EN ISO 13849-1: 2008, EN 12601: 2010

(1) Prime Power (PRP):

According to ISO 8528-1:2005, Prime power is the maximum power which a generating set is capable of delivering continuously whilst supplying a variable electrical load when operated for an unlimited number of hours per year under the agreed operation conditions with the maintenance intervals and procedures being carried out as prescribed by the manufacturer. The permissible average power output (P_{pp}) over 24h of operation shall not exceed 70% of the PRP.

(2) Standby Power (ESP):

According to ISO 8528-1:2005, standby power is the maximum power available during a variable electrical power sequence, under the stated operation conditions, for which a generating set is capable of delivering in the event of a utility power outage or under test conditions for up to 200h of operation per year with the maintenance intervals