

Model: VT-P72

Powered by PERKINS



OUTPUT RATING

Model	Powerrating		Voltageavailable
VT-P72	PRIME(1)	STANDBY(2)	380/220V
	52KW	58KW	400/230V
	65KVA	72KVA	415/270V
400V/50HZ / PF:0.8			

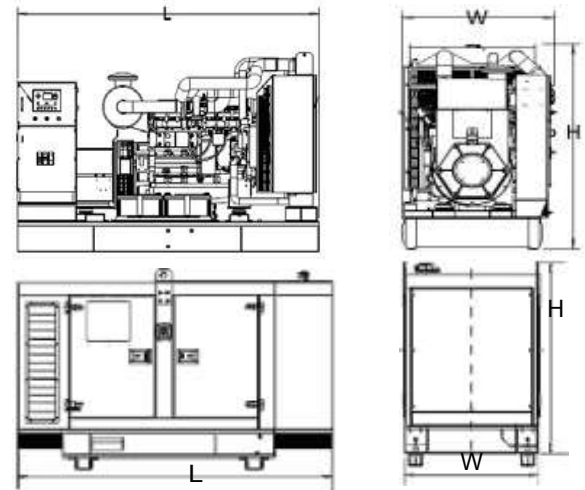
GENERAL INFORMATION

Model	VT-P72		
Engine	1104A-44TG1		
Speed control type	Electronical		
Phase	3		
Control System	Digital		
System voltage	12/24V		
Frequency	50HZ		
Engine Speed(RPM)	1500		
Fuel Consumption (L/hr)	Standby power(2)	16.2	
	Prime Power(1)	16.2	
	75% prime power	11.8	
	50% prime power	8	



DIMENSION AND WEIGHT

Dimension	Open	Silent
Length (L)	2210mm	2550mm
Width (W)	750mm	1100mm
Height (H)	1410mm	1632mm
NetWeight	1140KG	1571KG



VT POWER gensets are compliant with EC mark which include the following directives:

- * 2006/42/EC Machinerysafety.
- * 2006/95/EC Lowvoltage
- * EN 60204-1: 2006+A1:2009, EN ISO 12100:2010, EN ISO 13849-1: 2008, EN 12601: 2010

(1) PrimePower (PRP):

According to ISO 8528-1:2005, Prime power is the maximum power which a generating set is capable of delivering continuously whilst supplying a variable electrical load when operated for an unlimited number of hours per year under the agreed operation conditions with the maintenance intervals and procedures being carried out as prescribed by the manufacturer. The permissible average power output (Ppp) over 24h of operation shall not exceed 70% of the PRP.

(2) Standby Power (ESP):

According to ISO 8528-1:2005, standby power is the maximum power available during a variable electrical power sequence, under the stated operation conditions, for which a generating set is capable of delivering in the event of a utility power outage or under test conditions for up to 200h of operation per year with the maintenance intervals.