

Model: **VT-P66**

Powered by PERKINS



## OUTPUT RATING

Model	Powerrating		Voltageavailable
<b>VT-P66</b>	PRIME(1)	STANDBY(2)	380/220V
	48KW	53KW	400/230V
	60KVA	66KVA	415/270V
400V/50HZ / PF:0.8			

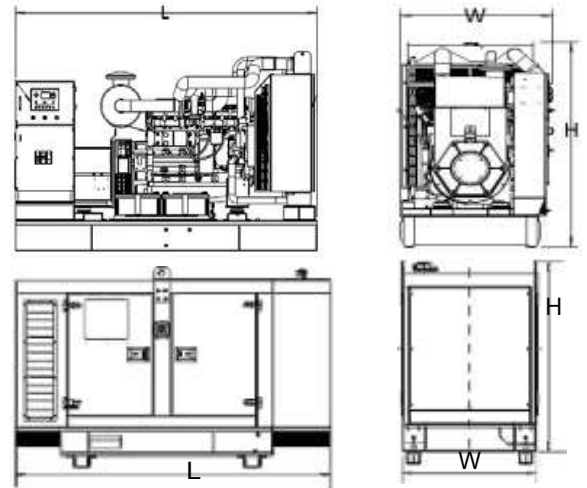
### GENERAL INFORMATION

Model	VT-P66	
Engine	1103A-33TG2	
Speed control type	Electronical	
Phase	3	
Control System	Digital	
System voltage	12/24V	
Frequency	50HZ	
Engine Speed(RPM)	1500	
Fuel Consumption (L/hr)	Standby power(2)	15.4
	Prime Power(1)	13.9
	75% prime power	10.4
	50% prime power	7.2



### DIMENSION AND WEIGHT

Dimension	Open	Silent
Length (L)	1910mm	2550mm
Width (W)	750mm	1100mm
Height (H)	1410mm	1630mm
NetWeight	780KG	1450KG



VT POWER gensets are compliant with EC mark which include the following directives:

- \* 2006/42/EC Machinerysafety.
- \* 2006/95/EC Lowvoltage
- \* EN 60204-1: 2006+A1:2009, EN ISO 12100:2010, EN ISO 13849-1: 2008, EN 12601: 2010

(1) PrimePower(PRP):

According to ISO 8528-1:2005, Prime power is the maximum power which a generating set is capable of delivering continuously whilst supplying a variable electrical load when operated for an unlimited number of hours per year under the agreed operation conditions with the maintenance intervals and procedures being carried out as prescribed by the manufacturer. The permissible average power output (Ppp) over 24h of operation shall not exceed 70% of the PRP.

(2) Standby Power(ESP):

According to ISO 8528-1:2005, standby power is the maximum power available during a variable electrical power sequence, under the stated operation conditions, for which a generating set is capable of delivering in the event of a utility power outage or under test conditions for up to 200h of operation per year with the maintenance intervals.