

Model: VT-P500



Powered by PERKINS

OUTPUT RATING

Model	Powerrating		Voltageavailable
VT-P500 400V/50HZ / PF:0.8	PRIME(1)	STANDBY(2)	380/220V
	360KW	400KW	400/230V
	450KVA	500KVA	415/270V

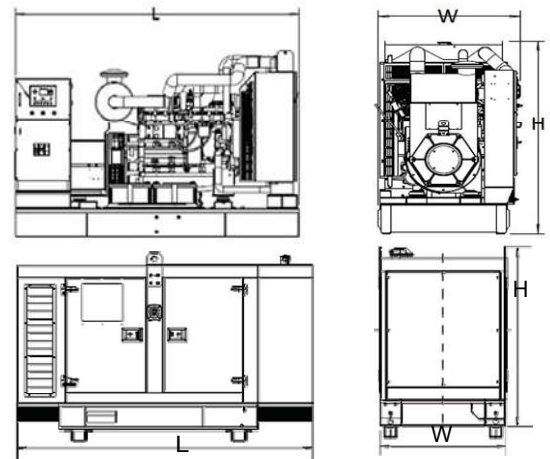
GENERAL INFORMATION

Model	VT-P500	
Engine	2506A-E15TAG1	
Speed control type	Electronical	
Phase	3	
Control System	Digital	
System voltage	12/24V	
Frequency	50HZ	
Engine Speed(RPM)	1500	
Fuel Consumption (L/hr)	Standby power(2)	104
	Prime Power(1)	95
	75% prime power	72
	50% prime power	50



DIMENSION AND WEIGHT

Dimension	Open	Silent
Length (L)	3500mm	4620mm
Width (W)	1260mm	1400mm
Height (H)	2000mm	2440mm
NetWeight	3870KG	5100KG



VT POWER gensets are compliant with EC mark which include the following directives:

- * 2006/42/EC Machinerysafety.
- * 2006/95/EC Lowvoltage
- * EN 60204-1: 2006+A1:2009, EN ISO 12100:2010, EN ISO 13849-1: 2008, EN 12601: 2010

(1) PrimePower(PRP):

According to ISO 8528-1:2005, Prime power is the maximum power which a generating set is capable of delivering continuously whilst supplying a variable electrical load when operated for an unlimited number of hours per year under the agreed operation conditions with the maintenance intervals and procedures being carried out as prescribed by the manufacturer. The permissible average power output (Ppp) over 24h of operation shall not exceed 70% of the PRP.

(2) Standby Power(ESP):

According to ISO 8528-1:2005, standby power is the maximum power available during a variable electrical power sequence, under the stated operation conditions, for which a generating set is capable of delivering in the event of a utility power outage or under test conditions for up to 200h of operation per year with the maintenance intervals.

CÔNG TY TNHH THIẾT BỊ THƯƠNG MẠI VÕ TRẦN

Add: Số 32 Đặng Thai Mai, Phường 7, Quận Phú Nhuận, Tp.Hcm

Tel: 028 3517 6298 | Fax: 028 3517 6297 | Email: info@votran.vn | Web: votran.vn