

Model: **VT-C500**
 Powered by **CUMMINS CCEC**



OUTPUT RATING

Model	Power rating		Voltage available
VT-C500	PRIME(1)	STANDBY(2)	380/220V
	360KW	400KW	400/230V
400V/50HZ / PF:0.8	450KVA	500KVA	415/270V

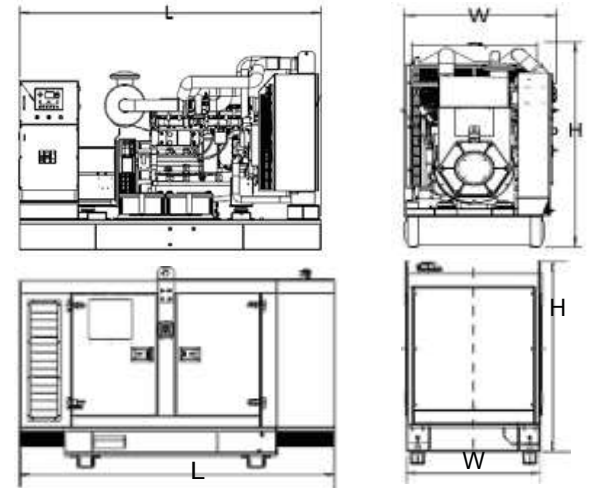
GENERAL INFORMATION

Model	VT-C500	
Engine	KTA19G3	
Speed control type	Electronical	
Phase	3	
Control System	Digital	
System voltage	12/24V	
Frequency	50HZ	
Engine Speed(RPM)	1500	
Fuel Consumption (L/hr)	Standby power(2)	107
	Prime Power(1)	97
	75% prime power	73
	50% prime power	51



DIMENSION AND WEIGHT

Dimension	Open	Silent
Length (L)	3375mm	4620mm
Width (W)	1135mm	1600mm
Height (H)	2188mm	2540mm
NetWeight	4000KG	5100KG



VT POWER gensets are compliant with EC mark which include the following directives:

- * 2006/42/EC Machinerysafety.
- * 2006/95/EC Lowvoltage
- * EN 60204-1: 2006+A1:2009, EN ISO 12100:2010, EN ISO 13849-1: 2008, EN 12601: 2010

(1) PrimePower(PRP):

According to ISO 8528-1:2005, Prime power is the maximum power which a generating set is capable of delivering continuously whilst supplying a variable electrical load when operated for an unlimited number of hours per year under the agreed operation conditions with the maintenance intervals and procedures being carried out as prescribed by the manufacturer. The permissible average power output (Ppp) over 24h of operation shall not exceed 70% of the PRP.

(2) Standby Power(ESP):

According to ISO 8528-1:2005, standby power is the maximum power available during a variable electrical power sequence, under the stated operation conditions, for which a generating set is capable of delivering in the event of a utility power outage or under test conditions for up to 200h of operation per year with the maintenance intervals