

Model: VT-DS330

Powered by DOOSAN



OUTPUT RATING

Model	Powerrating		Voltage available
VT-DS330 400V/50HZ / PF:0.8	PRIME(1)	STANDBY(2)	380/220V
	240KW	264KW	400/230V
	300KVA	330KVA	415/270V

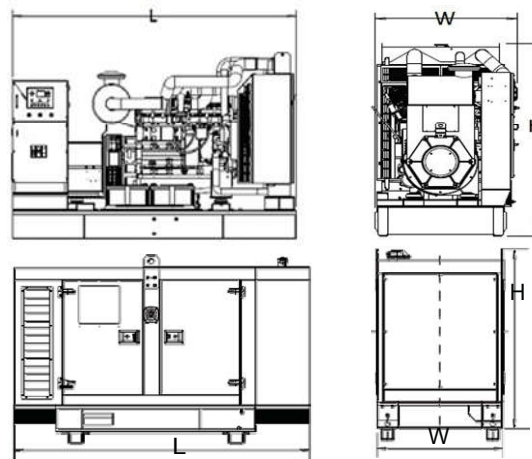
GENERAL INFORMATION

Model	VT-DS330	
Engine	P126TI-II	
Speed control type	Electrical	
Phase	3	
Control System	Digital	
System voltage	12/24V	
Frequency	50HZ	
Engine Speed(RPM)	1500	
Fuel Consumption (L/hr)	Standby power(2)	78
	Prime Power(1)	63
	75% prime power	47
	50% prime power	31



DIMENSION AND WEIGHT

Dimension	Open	Silent
Length (L)	2975mm	4380mm
Width (W)	1015mm	1406mm
Height (H)	1510mm	2245mm
NetWeight	2620KG	4000KG



VT POWER gensets are compliant with EC mark which include the following directives:

- * 2006/42/EC Machinerysafety.
 - * 2006/95/EC Lowvoltage
 - * EN 60204-1: 2006+A1:2009, EN ISO 12100:2010, EN ISO 13849-1: 2008, EN 12601: 2010
- (1) PrimePower(PRP):

According to ISO 8528-1:2005, Prime power is the maximum power which a generating set is capable of delivering continuously whilst supplying a variable electrical load when operated for an unlimited number of hours per year under the agreed operation conditions with the maintenance intervals and procedures being carried out as prescribed by the manufacturer. The permissible average power output (Ppp) over 24h of operation shall not exceed 70% of the PRP.

(2) Standby Power(ESP):

According to ISO 8528-1:2005, standby power is the maximum power available during a variable electrical power sequence, under the stated operation conditions, for which a generating set is capable of delivering in the event of a utility power outage or under test conditions for up to 200h of operation per year with the maintenance intervals

CÔNG TY TNHH THIẾT BỊ THƯƠNG MẠI VÕ TRẦN

Add: Số 32 Đặng Thai Mai, Phường 7, Quận Phú Nhuận, Tp.Hcm

Tel: 028 3517 6298 | Fax: 028 3517 6297 | Email: info@votran.vn | Web: votran.vn