

Model: **VT-C200**  
 Powered by **CUMMINS DCEC**



**OUTPUT RATING**

| Model          | Power rating       |            | Voltage available |
|----------------|--------------------|------------|-------------------|
|                | PRIME(1)           | STANDBY(2) |                   |
| <b>VT-C200</b> | 144KW              | 160KW      | 380/220V          |
|                | 180KVA             | 200KVA     | 400/230V          |
|                | 400V/50HZ / PF:0.8 |            | 415/270V          |

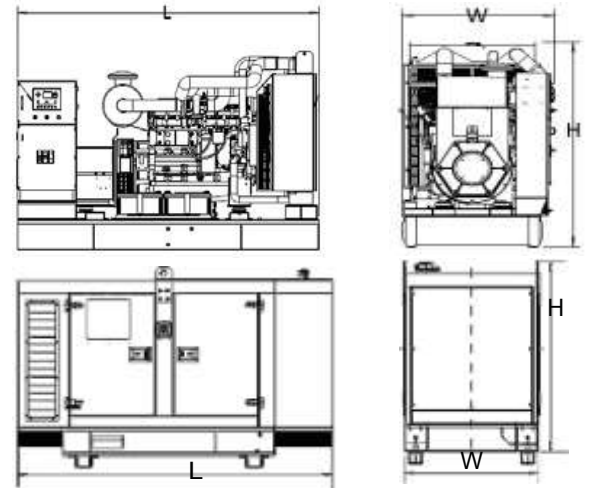
**GENERAL INFORMATION**

|                         |                  |    |
|-------------------------|------------------|----|
| Model                   | <b>VT-C200</b>   |    |
| Engine                  | <b>6CTA8.3G2</b> |    |
| Speed control type      | Electronical     |    |
| Phase                   | 3                |    |
| Control System          | Digital          |    |
| System voltage          | 12/24V           |    |
| Frequency               | 50HZ             |    |
| Engine Speed(RPM)       | 1500             |    |
| Fuel Consumption (L/hr) | Standby power(2) | 48 |
|                         | Prime Power(1)   | 42 |
|                         | 75% prime power  | 31 |
|                         | 50% prime power  | 21 |



**DIMENSION AND WEIGHT**

| Dimension  | Open   | Silent |
|------------|--------|--------|
| Length (L) | 2360mm | 3720mm |
| Width (W)  | 1000mm | 1140mm |
| Height (H) | 1460mm | 2112mm |
| NetWeight  | 1600KG | 2454KG |



**VT POWER** gensets are compliant with EC mark which include the following directives:

- \* 2006/42/EC Machinerysafety.
- \* 2006/95/EC Lowvoltage
- \* EN 60204-1: 2006+A1:2009, EN ISO 12100:2010, EN ISO 13849-1: 2008, EN 12601: 2010

**(1) PrimePower(PRP):**

According to ISO 8528-1:2005, Prime power is the maximum power which a generating set is capable of delivering continuously whilst supplying a variable electrical load when operated for an unlimited number of hours per year under the agreed operation conditions with the maintenance intervals and procedures being carried out as prescribed by the manufacturer. The permissible average power output (Ppp) over 24h of operation shall not exceed 70% of the PRP.

**(2) Standby Power(ESP):**

According to ISO 8528-1:2005, standby power is the maximum power available during a variable electrical power sequence, under the stated operation conditions, for which a generating set is capable of delivering in the event of a utility power outage or under test conditions for up to 200h of operation per year with the maintenance intervals