

Model: VT-DS200

Powered by DOOSAN



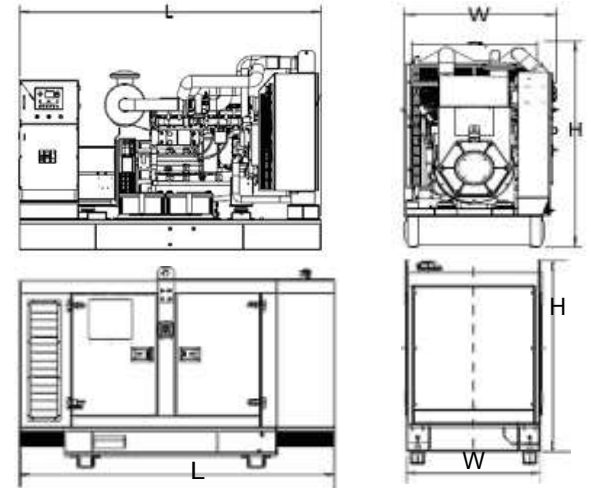
OUTPUT RATING

Model	Power rating		Voltage available
VT-DS200	PRIME(1)	STANDBY(2)	380/220V
	120KW	132KW	400/230V
	150KVA	165KVA	415/270V

GENERAL INFORMATION		
Model	VT-DS200	
Engine	DP086TA	
Speed control type	Electronical	
Phase	3	
Control System	Digital	
System voltage	12/24V	
Frequency	50HZ	
Engine Speed(RPM)	1500	
Fuel Consumption (L/hr)	Standby power(2)	48
	Prime Power(1)	43
	75% prime power	31
	50% prime power	21



DIMENSION AND WEIGHT		
Dimension	Open	Silent
Length (L)	2690mm	3770mm
Width (W)	950mm	1170mm
Height (H)	1500mm	2112mm
NetWeight	2040KG	2800KG



VT POWER gensets are compliant with EC mark which include the following directives:

- * 2006/42/EC Machinery safety.
- * 2006/95/EC Low voltage
- * EN 60204-1: 2006+A1:2009, EN ISO 12100:2010, EN ISO 13849-1: 2008, EN 12601: 2010

(1) Prime Power (PRP):

According to ISO 8528-1:2005, Prime power is the maximum power which a generating set is capable of delivering continuously whilst supplying a variable electrical load when operated for an unlimited number of hours per year under the agreed operation conditions with the maintenance intervals and procedures being carried out as prescribed by the manufacturer. The permissible average power output (P_{pp}) over 24h of operation shall not exceed 70% of the PRP.

(2) Standby Power (ESP):

According to ISO 8528-1:2005, standby power is the maximum power available during a variable electrical power sequence, under the stated operation conditions, for which a generating set is capable of delivering in the event of a utility power outage or under test conditions for up to 200h of operation per year with the maintenance intervals